

# FLOFREEZE MA-MODELS

## Technical Data

SI-System (British Units overleaf)

		FLOFREEZE Model					
SI-System (Old system)		2 MA 2 RMA	4 MA 4 RMA	6 MA 6 RMA	8 MA 8 RMA	10 MA 10 RMA	12 MAX* 12 RMAX*
<u>Product:</u> Capacity: Green peas Infeed temp.: +15°C Outfeed temp.: -18°C	kg/h	850	2.100	3.150	4.200	5.250	6.500
<u>Refrigeration:**</u> Required capacity (based on Green Peas) Evap. temp.: -40°C, NH <sub>3</sub>	kW (kcal/h)	120 (105.000)	260 (225.000)	385 (330.000)	505 (435.000)	630 (540.000)	814 (700.000)
Gravity feed or pump circulation may be used. The pump circulation rate corresponds to 4 - 6 times evaporation. (See also Manual Sheet "Connection to refrigeration system").							
Base load***	kW (kcal/h)	37 (35.000)	58 (50.000)	79 (70.000)	100 (85.000)	121 (105.000)	185 (160.000)
<u>Electrical Power:</u> Voltage		3 x 380 V, 3 x 415 V; 50 c/s					
Normal power consumption	kW	26	47	68	89	110	170
Max. power requirement	kVA	29	52	75	98	121	186
Motors of more than 1 kW rating (installed power)	kW	2 x 9.0 1 x 1.5	4 x 9.0 1 x 1.5	6 x 9.0 1 x 1.5	8 x 9.0 1 x 1.5	10 x 9.0 1 x 1.5	9 x 16.2 1 x 2.2
<u>Water:</u> Max. consumption during defrosting min. pressure 200 kPa (2 kp/cm <sup>2</sup> ) at connection point and at rated flow. Spraying time: 10-15 min.	l/min	360	625	900	1.150	1.420	1.650

\* Non-standard sizes requiring longer delivery time.

\*\*To handle normal variations in line capacity, we recommend 5 to 10% higher refrigeration plant capacity.

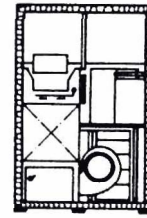
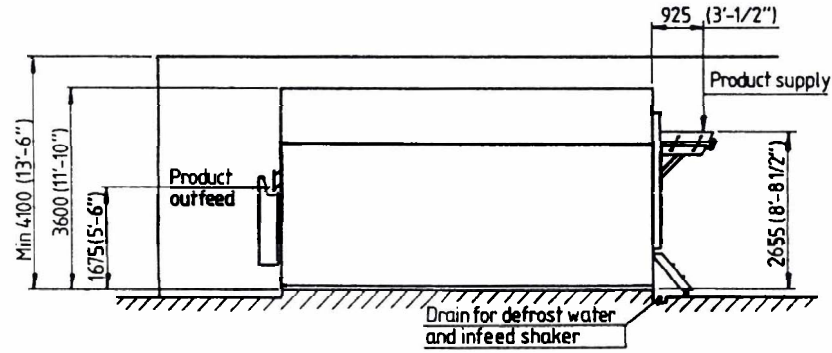
\*\*\*Required refrigeration capacity minus product heat.

Remarks: Hot water and compressed air are recommended for cleaning the product tray.

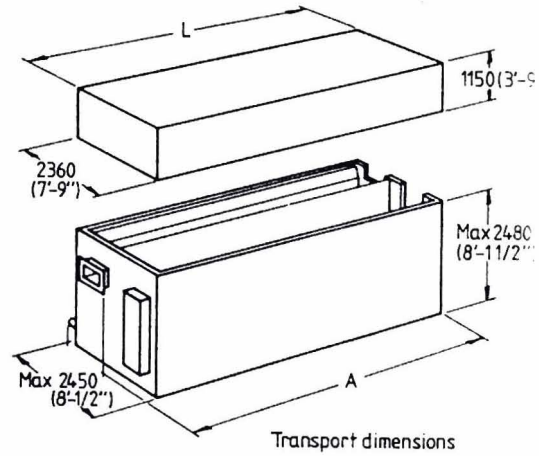
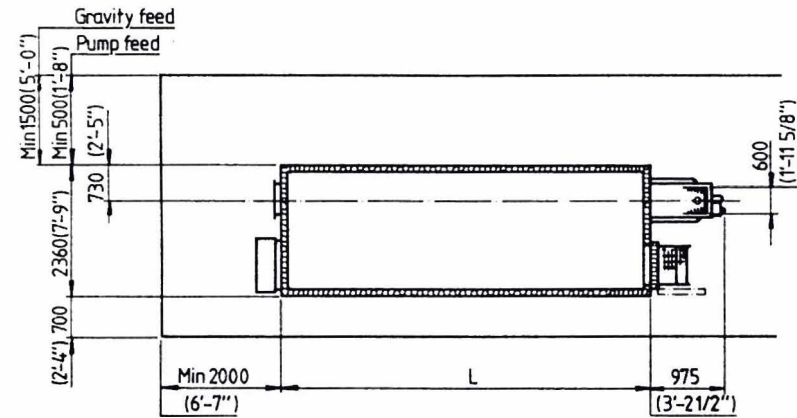
Subject to change without notice.

# FLoFREEZE MA/RMA

## Dimensions



Cross section



Transport dimensions

FLoFREEZE Model	L		A		X*
	mm	ft	mm	ft	tons approx.
2 MA	2210	7'-3"	2960	9'-8 1/2"	3.5
4 MA	3830	12'-7"	4580	15'-1 1/2"	6.0
6 MA	5450	17'-11"	6200	20'-4"	9.0
8 MA	7070	23'-2"	7820	25'-8"	11.9
10 MA	8690	28'-6"	9440	31'-0"	14.8

\*X = Shipping weight of body section.

RMA-models overleaf.

Subject to change without notice